

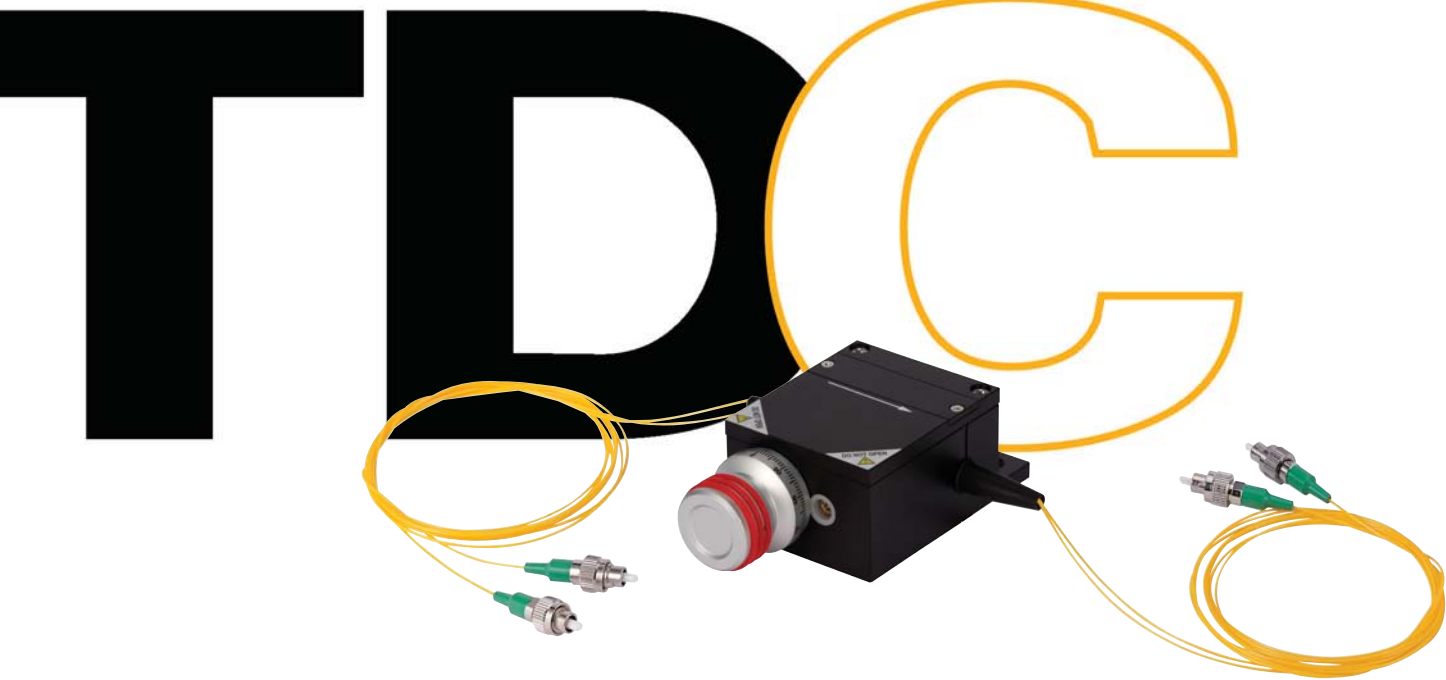
Tunable Directional Coupler

TC1410 Series

TC1410 series is an all fiber, polished directional coupler with variable coupling ratio. This device can be used to divide or combine optical

signals in fiber optics research.

With its low loss and precision mechanism, TC1410 series give you smooth and easy control of coupling ratio.



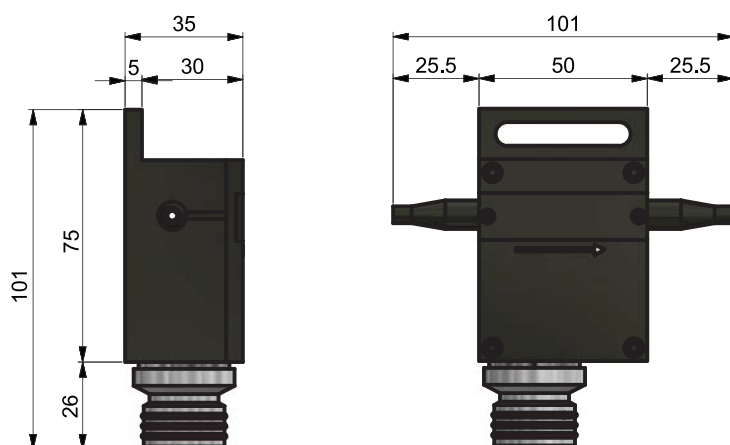
Features

- All fiber configuration
- Low excess loss
- Smooth & easy control of coupling ratio

Applications

- Fiber optic interferometers
- Fiber sensor
- Fiber laser

Dimensions



Specifications

| Common Type | |
|-------------------------------|--|
| Fiber | Fiber types can be specified by the customer |
| Wavelengths | 633 nm, 830 nm, 1064 nm, 1300 nm, 1550 nm |
| Insertion Loss | < 0.1 dB (without connectors) |
| Tuning Range of Coupling | 0% ~ 100% |
| Dimensions (W x D x H) | 50mm x 101mm x 35mm |
| PM Fiber Coupler | |
| Polarization Extinction Ratio | > 15 dB |

The specifications and technical information contained herein are subject to change without notice and are furnished without charge or obligation. They are given and accepted at recipients sole risks.

Ordering Code

TC1410-(1)-(2)-(3)

1. Wavelength ➔ 630 nm (063), 830 nm (083), 1060 nm (106), 1300 nm (130), 1550 nm (155)
2. Fiber type ➔ P : PM, NP : Non-PM
3. Connector type ➔ No Connector (X), FC/PC(F/P), FC/APC(F/A)

Example : TC1410-155-P-X

➔ 1550 nm PM fiber Tunable Directional Coupler with no connectors



FIBERPRO Headquarters
 FIBERPRO USA
 FIBERPRO CHINA
 www.fiberpro.com

Tel : +82-42-360-0030
 Tel : +1-408-835-7796
 Tel : +86-27-8663-5497
 sales@fiberpro.com

Fax : +82-42-360-0050
 Fax : +1-408-521-0402
 Fax : +86-27-8663-5701